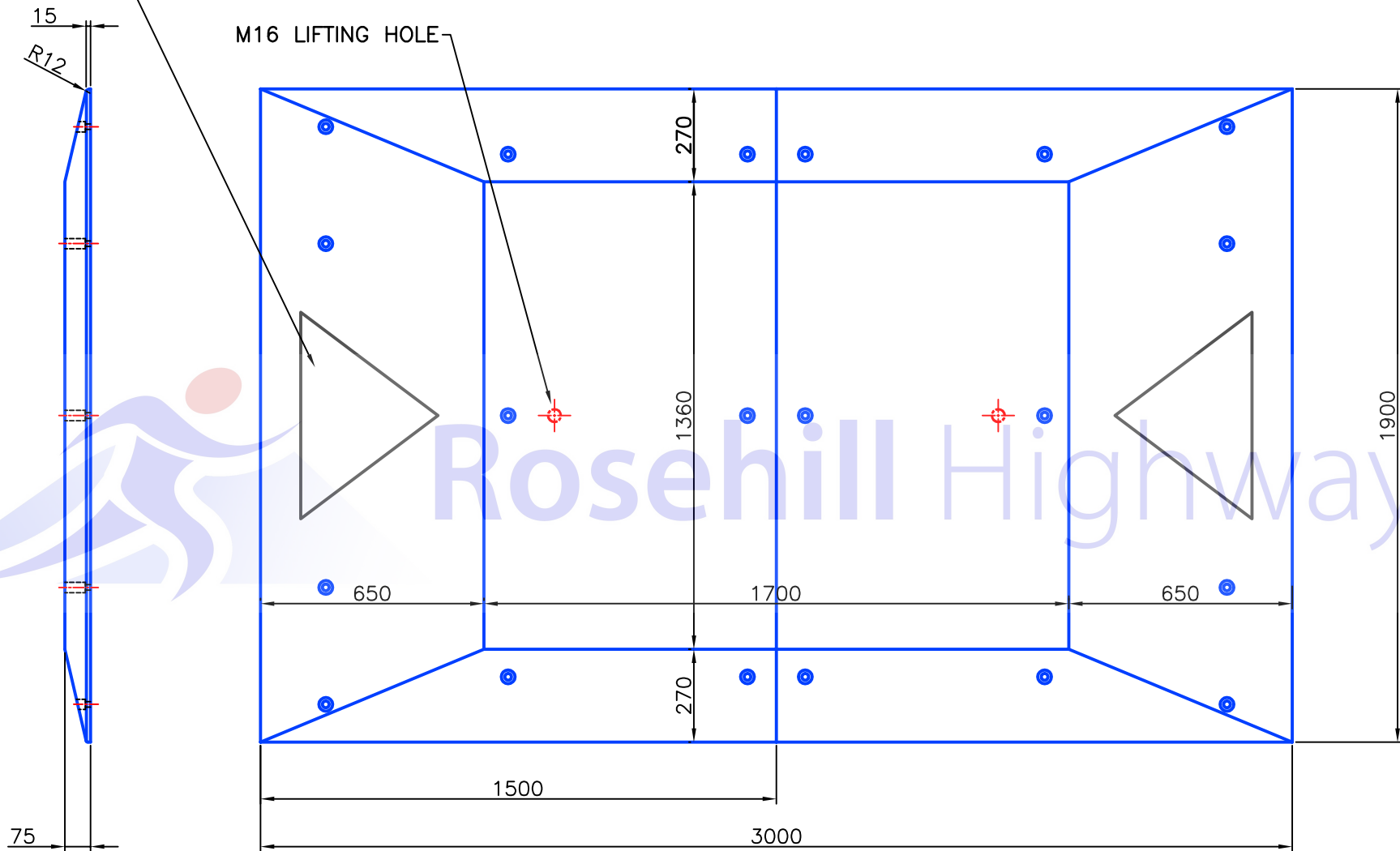


REFLECTIVE EMBLEM OR LOGO

AVAILABLE COLOURS:- BLACK / RED (other colours to order)



WEIGHT (Each Half) = 150kg

Manufacturing Tolerance: +/- 1.5%

Rosehill Polymers Ltd.

Sowerby Bridge
West Yorkshire

TEL +44(0) 1422 839610
FAX +44(0) 1422 835786



Rosehill Highways

TWO PIECE SPEED CUSHION
1900 x 3000 x 75

Date 20/01/12

Drn R Kaye

RH-9008

Mod
B