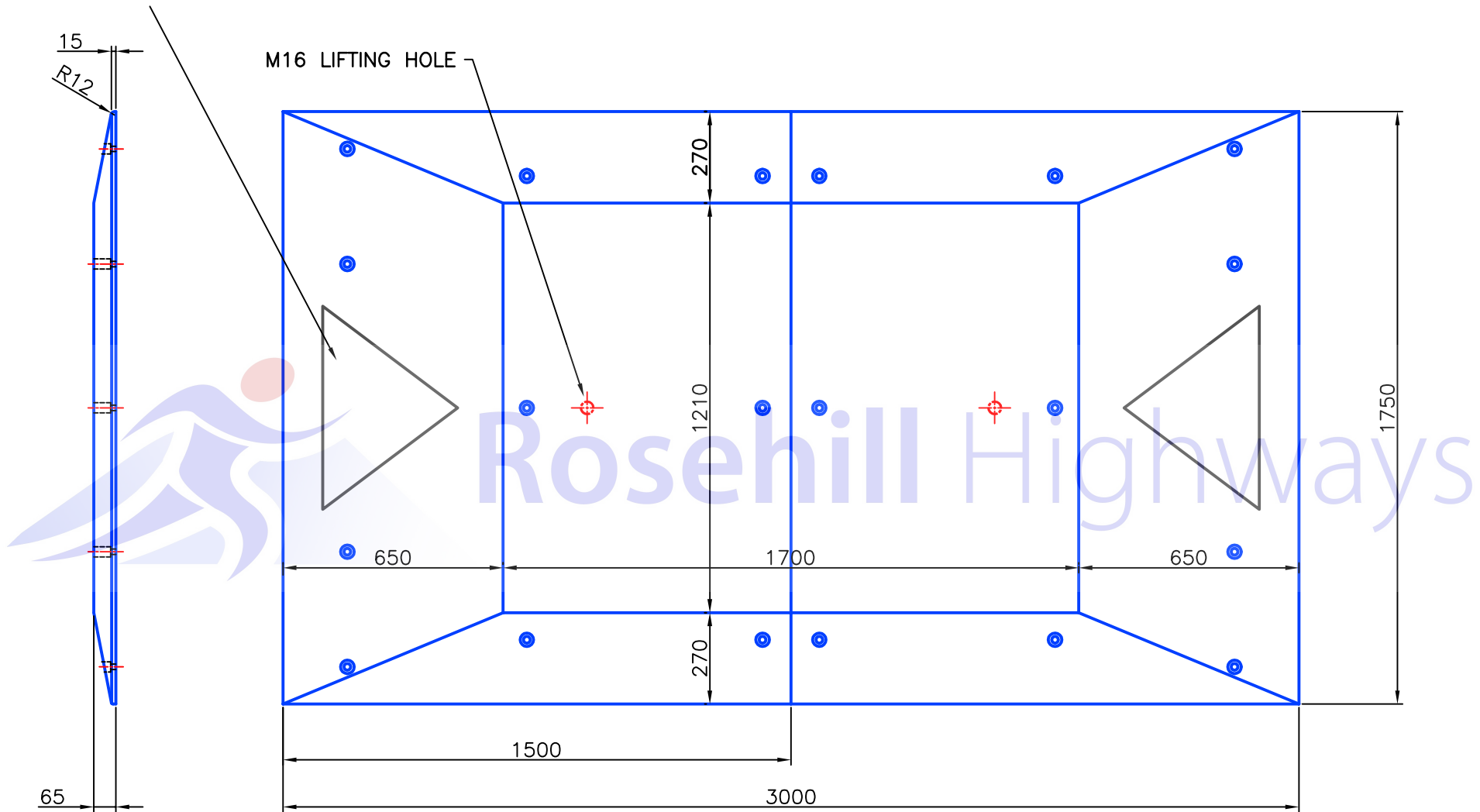


REFLECTIVE EMBLEM OR LOGO



WEIGHT (Each Half) = 140kg

Manufacturing Tolerance: +/- 1.5%

Rosehill Polymers Ltd.

Sowerby Bridge  
West Yorkshire

TEL +44(0) 1422 839610  
FAX +44(0) 1422 835786



TWO PIECE SPEED CUSHION  
1750 x 3000 x 65

Date 20/01/12

Drn R Kaye

RH-9007

Mod  
B